

# ORB

---

## LED GARAGE CANOPY

---



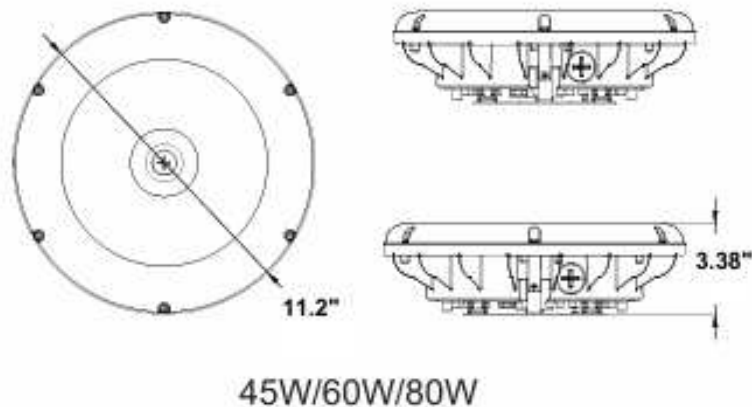
The ORB™ CCT Selectable Canopy by RAYCO is an environmentally preferable LED alternative to traditional HID luminaires. It offers up to 79% energy savings compared to conventional fixtures. Ideal for parking garages, covered exterior corridors, walkways, and stairwells, this slim, lightweight luminaire comes in three wattages/lumen packages (45W, 60W, and 80W). You can choose from three color temperatures (3000K, 4000K, or 5000K) to suit your preference. Additionally, it features a high efficacy of up to 120LM/W lumens per watt (LPW) and is available in bronze or white. The Canopy series is UL-listed, ensuring safety and reliability.



## Features

- 1.This garage lamp is a special design for application in places like parking garage,car port, driveway,underpass,etc;
- 2.Fins design,advective grooves between fins are good for heat dissipation;
- 3.Professional light distribution technique,high light reflectivity reflectors, 150°beam angle available;Light transmission rate of lens is over 90%;
- 4.It complies with UL certification,safe and reliable.

## Product Dimension



## Lighting Parameters

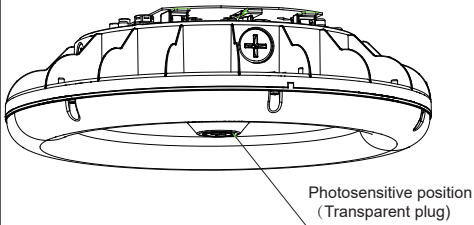
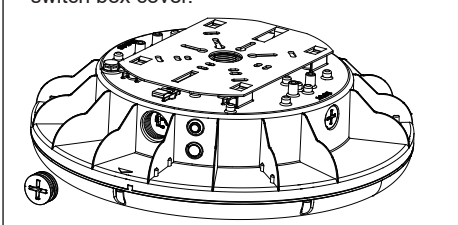
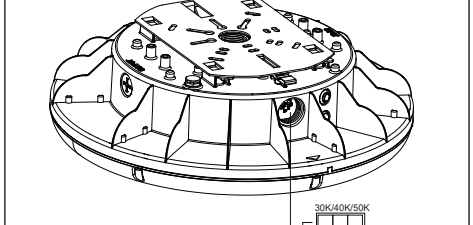
Model Number	ORB-GCP1180-80W-G-TCP-MO	ORB-GCP1180-80W-G-TCP-EM
Working Voltage	AC120-277V /AC120-347V	
CCT	3000K-4000K-5000K	
Power	45W/60W/80W	
Lamp Bead Model	LUMILEDS	
Lighting Efficiency	120LM/W	
Color Rendering Index	Ra > 80	
Operating Temperature	-40°F~113°F	
Storage Temperature	-40°F~158°F	
Environment Location	Wet Location	
Life span	≥ 50000H	
Lamp shell	Brown	
Accessories options	No sensor function, Photocontrol, Microwave sensor	

"TCP" = CCT adjustable/POWER adjustable ,CCT:30K/40K/50K/POWER:40W/60W/80W.  
 (XX) can be blank = no sensor function, "MS" = Microwave sensor, "PT" = Photocontrol

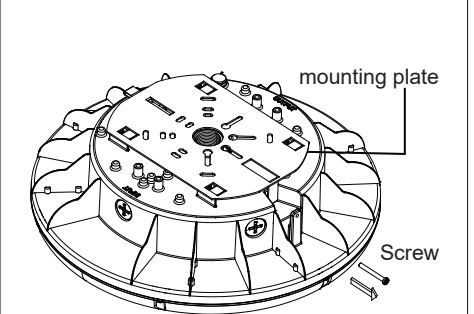
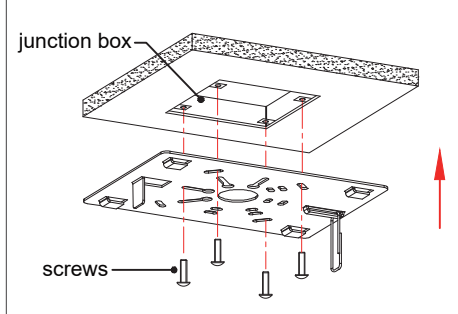
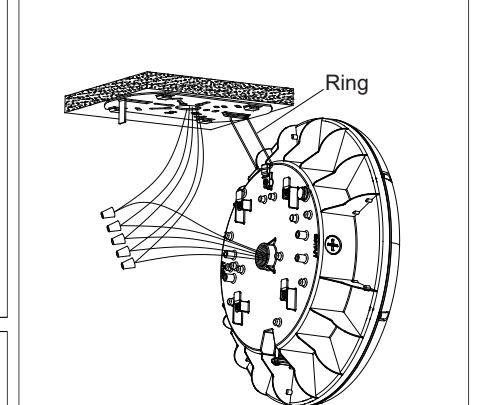
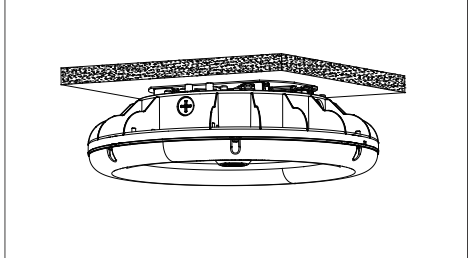
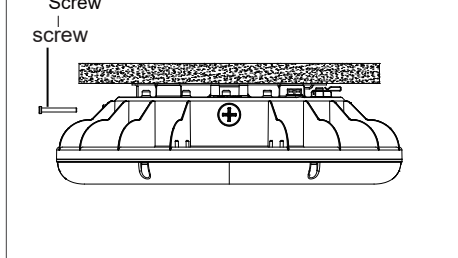


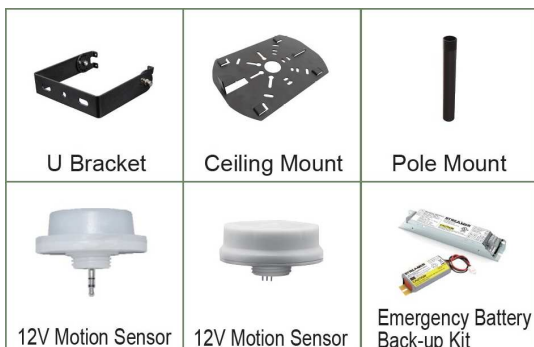
## Installation Instruction

### Step of adjusting color, temperature and power

<p>1. Place the fitting face up.</p> 	<p>2. Use a screwdriver to remove the screws from the switch box cover and remove the switch box cover.</p> 	<p>3. According to the requirements of the color temperature and power switch to the designated location.</p> 
---	--	---

### Installation method I : Ceiling Installation

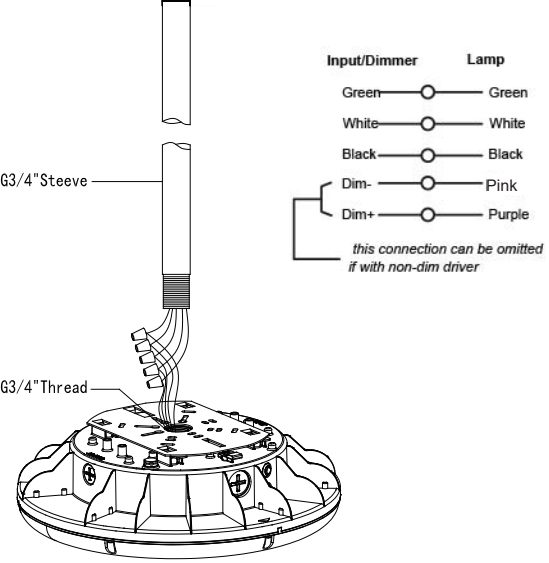
<p>1. Loosen the screw to take off the mounting plate from the lamp.</p> 	<p>2. Use screws to lock the mounting plate on the embedded junction box.</p> 	<p>3. Hang the lamp on the ring so as to connect wires with terminal caps.</p>  <p>Green —○— Green          White —○— White          Black —○— Black          Dim- —○— Gray          Dim+ —○— Pink</p> <p><i>this connection can be omitted if with non-dim driver</i></p>
<p>4. Hook up lamp on the mounting plate .</p> 	<p>5. Secure the screw. Installation completed.</p> 	



## Installation Instruction

### Pole-pendant Installation

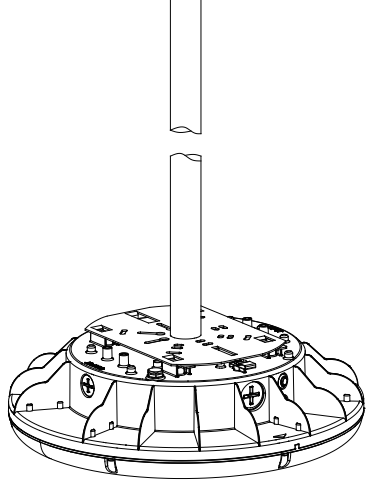
1. Connecting wires with terminal caps as picture shows.



Input/Dimmer	Lamp
Green	Green
White	White
Black	Black
Dim-	Pink
Dim+	Purple

*this connection can be omitted if with non-dim driver*

2. Rotating the steeve to make it fixed with lamp. Installation completed.



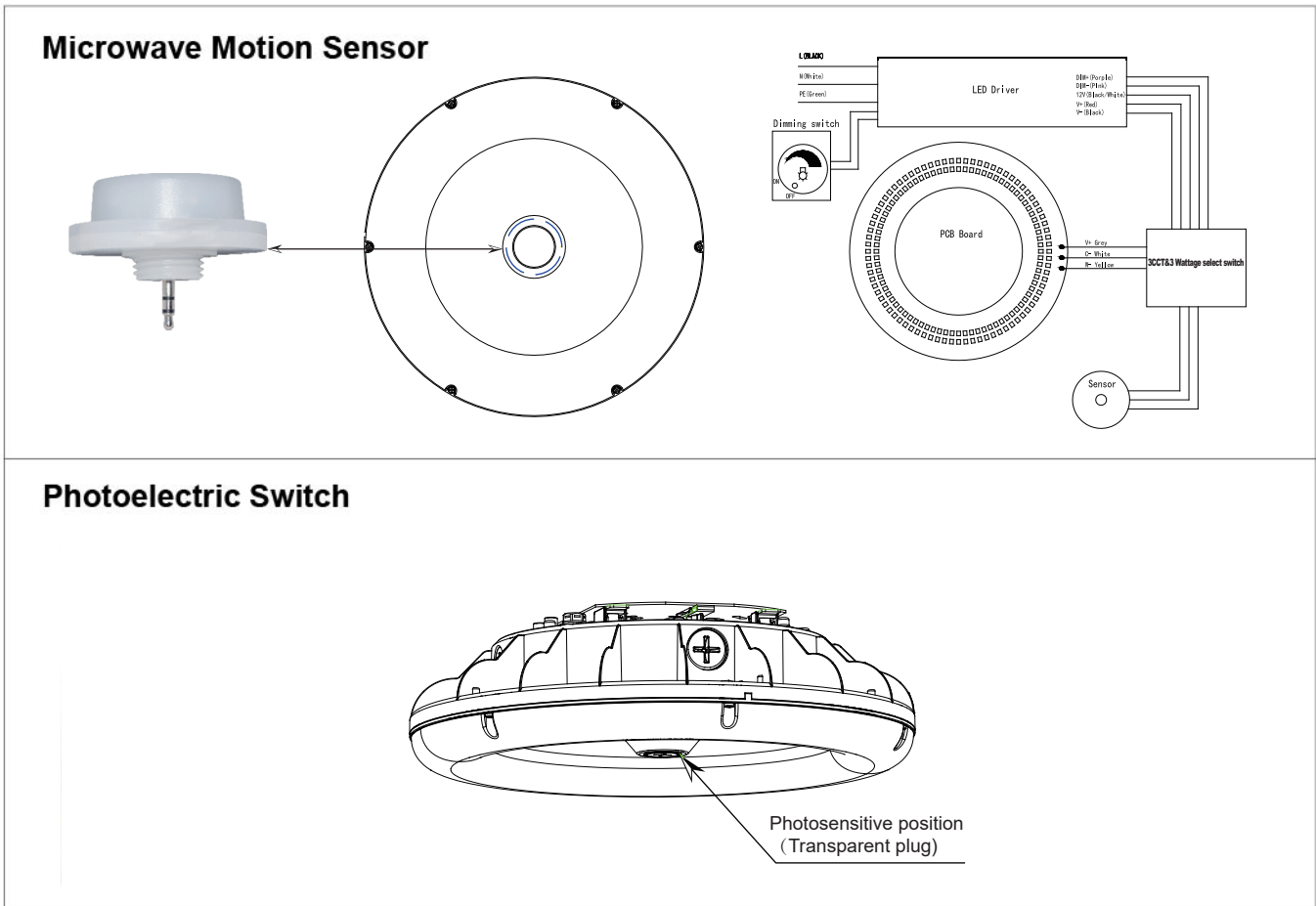
## Packing information

Power (Size)	Innter box (L*W*H)	Outer box (L*W*H)	Qty/Ctn (pcs)	N.W./Ctn (kg/lbs)	G.W./Ctn (kg/lbs)
11 inch 80W	12.67"X12.67"X4.72"	19.76"X13.26"X13.77"	4	4	
13.6 inch 80W	15.15"X15.15"X5.23"	21.81"X15.62"X16.14"	4		

## Applications







**Cautions**

1. Only persons qualified for electrical work should carry out electrical work.
2. All wiring should be performed after shutting off electricity or power to the lighting fixture.
3. Do Not disassemble or modify the LED CANOPY LIGHT.
4. Do Not drop the LED CANOPY LIGHT. Take precautions to ensure the LED CANOPY LIGHT does not experience any strong impact.
5. Keep this product Manual in a safe place for reference.
6. The manufacturer and/or the seller will not be held responsible for any damage caused to the LED CANOPY LIGHT by the user(s) during installation .
7. Be sure to ground the fixture.
8. Do Not Handle lamps soon after the light has been turned off.
9. Do Not use theLED CANOPY LIGHT near heating appliances/elements.