

# SLIM WALL PACK

---



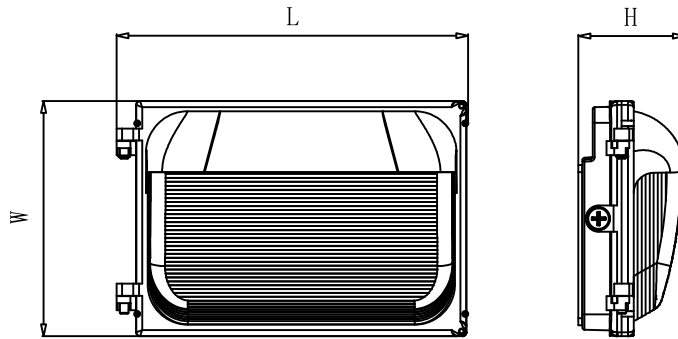
**A variety of drivers are available**

Using an isolated, 0-10V dimmable.

**Protection level: Wet Location**

The wall pack is sealed by silicone ring that can avoid dust completely and be waterproof, also the internal level ensures that the installation is horizontal.

**Product Dimension**



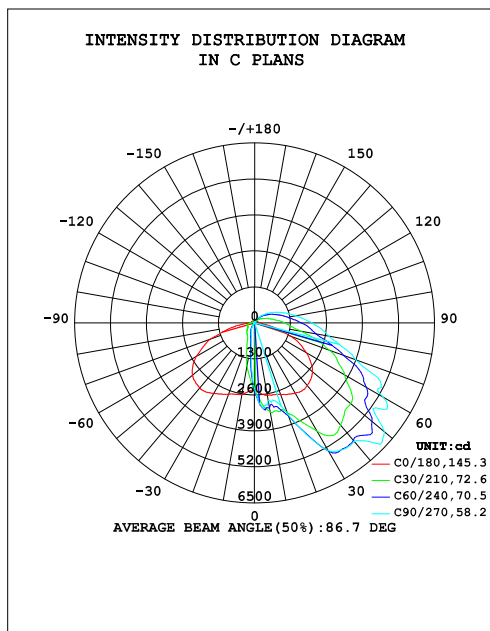
| Model                         | L×W×H (mm)           |
|-------------------------------|----------------------|
| SLIM-WP17GS-60W-TCP           | 8.73''*9.25''*4.25'' |
| <b>SLIM-WP17GM-120W-X-TCP</b> | 13.8''*9.25''*4.25'' |
| SLIM-WP17GL-150W-TCP          | 17.8''*9.25''*4.25'' |

| Part No.                      | Power          | Input Voltage | Luminous Flux              | Luminous Efficacy | CCT   | Viewing Angle | Ra  | PF   | Warranty |
|-------------------------------|----------------|---------------|----------------------------|-------------------|-------|---------------|-----|------|----------|
| SLIM-WP17GS-60W-TCP           | 20W/40W/60W    | AC100-277V    | 2400lm/4800lm<br>/7200lm   | 120lm/W           | 3000K | Type IV       | >80 | >0.9 | 5 Years  |
| <b>SLIM-WP17GM-120W-X-TCP</b> | 80W/100W/120W  |               | 9600lm/12000lm<br>/14400lm |                   | 4000K |               |     |      |          |
| SLIM-WP17GL-150W-TCP          | 100W/120W/150W | AC100-347V    | 12000lm/14440lm<br>/18000m |                   | 5000K |               |     |      |          |

## Lighting Parameters

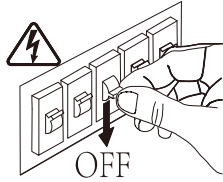
|                             |                        |             |              |
|-----------------------------|------------------------|-------------|--------------|
| Power                       | 60W                    | 120W        | 150W         |
| Rate Current                | 0.66A                  | 1.32 A      | 1.65A        |
| Working Voltage             | AC100-277V/AC100-347V  |             |              |
| Wattage abjutable           | 60-40-20W              | 120-100-80W | 150-120-100W |
| Beam Angle                  | TypeIV                 |             |              |
| Color Temperature           | 30/40/50K              |             |              |
| lamp's Luminous Efficiency  | > 120lm/W              |             |              |
| Color Rendering Index       | Ra > 80                |             |              |
| Operating Temperature       | -40°F ~ + 104°F        |             |              |
| Storage Temperature         | -40°F ~ + 158°F        |             |              |
| Environment Location        | Wet Location           |             |              |
| Life-span                   | ≥50000H                |             |              |
| Materials                   | ADC12                  |             |              |
| The color of the lamp shell | Brown                  |             |              |
| Mounting                    | Bracket fixed          |             |              |
| Dimming                     | 0-10V dimming standard |             |              |

## Optical Properties

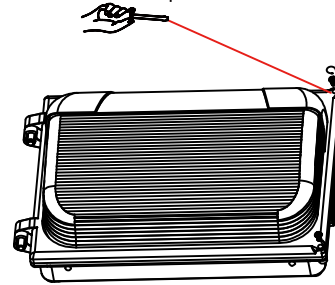


## Installation Instruction

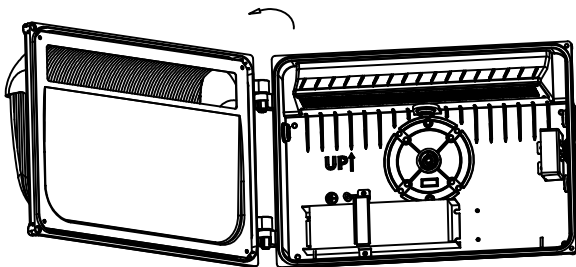
1. Turn off the power



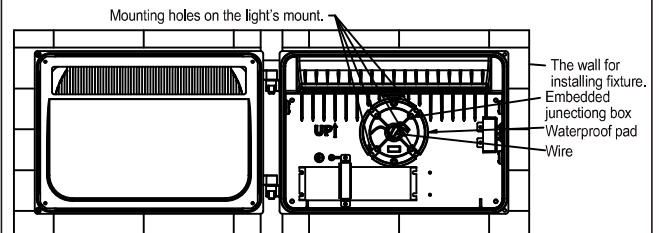
2. Remove the screws from the top cover.



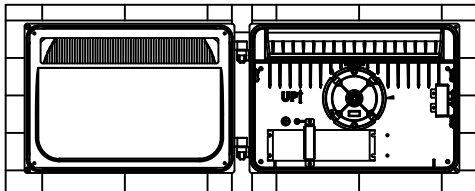
3. Open the lid.



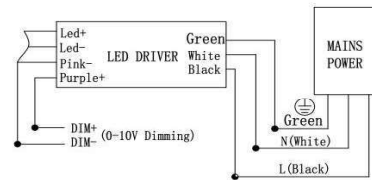
4. Fixed according to traditional installation method.



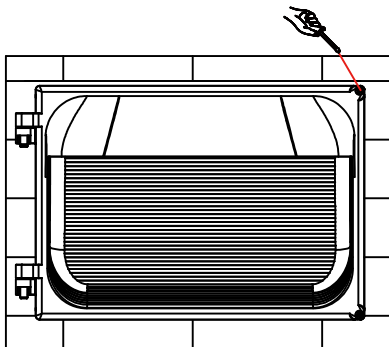
5. Connect the mains supply to the drive harness as shown in the figure.



6. Wiring diagram.



7. Close the lid and Install the cap screws.



8. Installation completed.

