

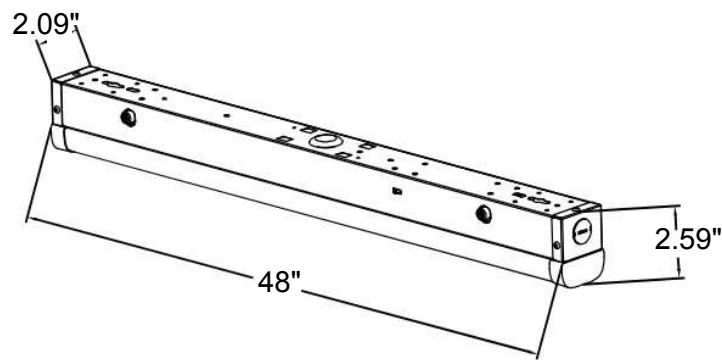
# SILO SLIM-LED LINEAR STRIP LIGHT



## Features & Benefits

1. Daisy connection with very convenient replacement in 1minute.
2. 0-10v dimming, universal voltage: 120-277v or 120-347v.
3. Available with suspending installation and surface-mounted installation.
4. Wide application for: school, hospital, super market, office and warehouse.
5. 2ft, 4ft and 8ft dimensions for variety choices.
6. 5-year warranty.

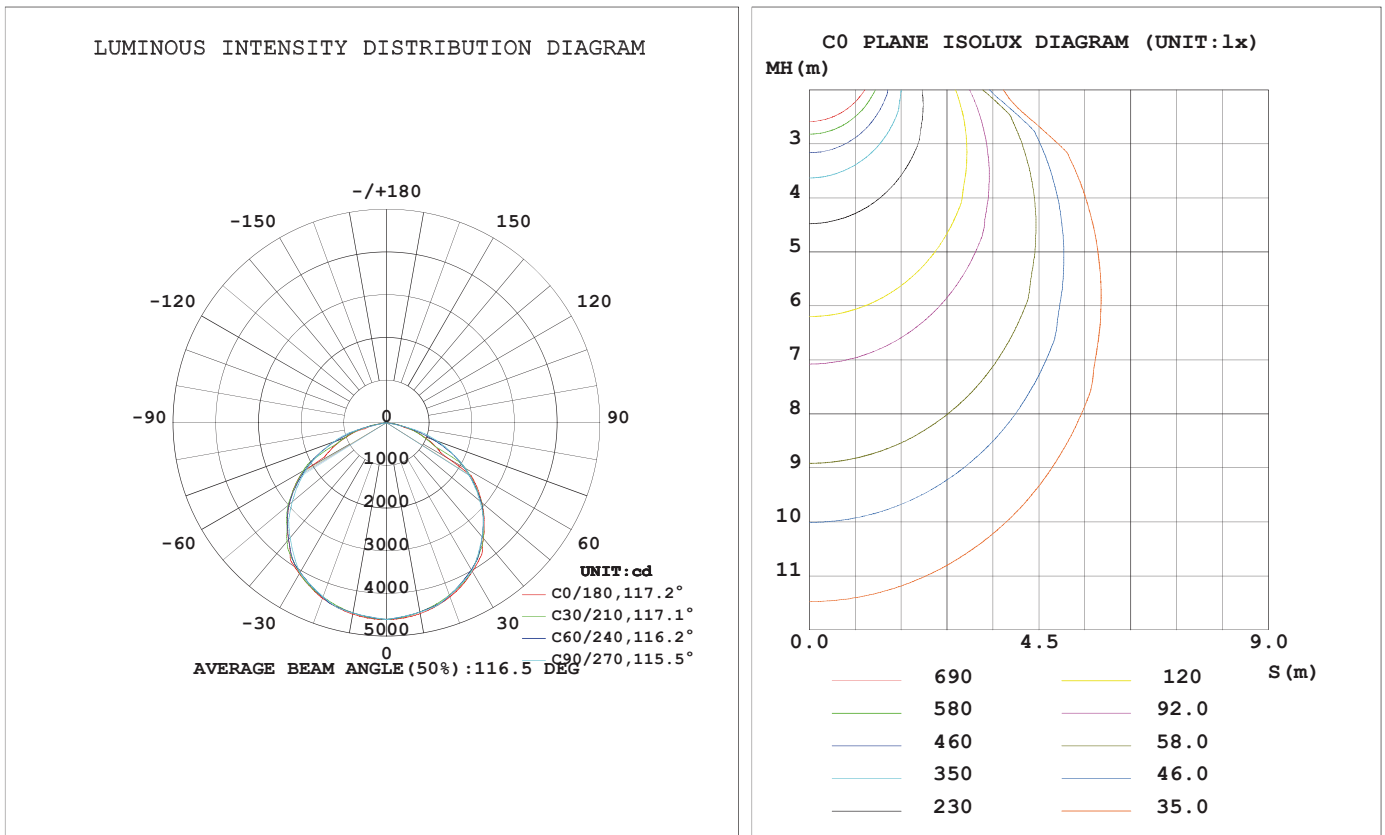
## Product Dimension



## Specification

Part No.	Power	Input Voltage	Luminous Flux	Luminous Efficacy	CCT	Viewing Angle	Ra	PF	Warranty
		AC120-277V		130lm/W	4000K	120°	>80	>0.9	5 YEARS
SILO-S-4FT40W-40K	40W		5200LM						
SILO-S-4FT40W-40K-MS	40W		5200LM						

## Testing Report






## Applications



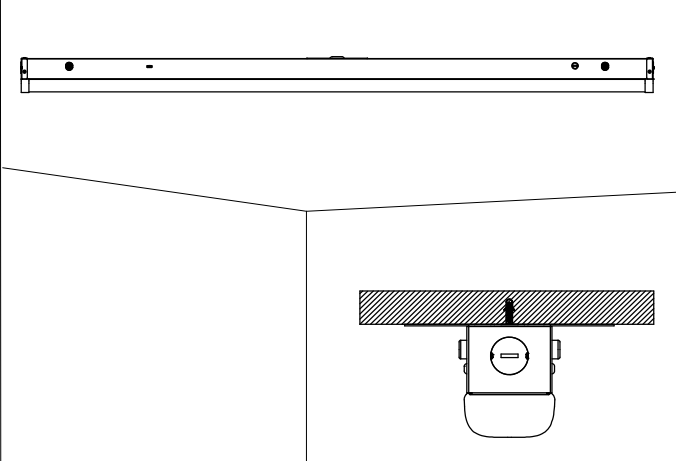
# Installation manual

## A.Surface-mounted installation

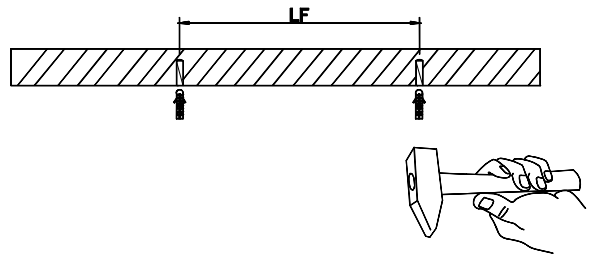
### Parts List

<b>Surface mount kit --2ft (included)</b>	
	<p><b>Parts:</b></p> <ul style="list-style-type: none"> <li>(1) J-box Adapter</li> <li>(2) Anchors</li> <li>(4) Screws</li> </ul>
<b>Surface mount kit --4ft (included)</b>	
	<p><b>Parts:</b></p> <ul style="list-style-type: none"> <li>(1) J-box Adapter</li> <li>(2) Anchors</li> <li>(4) Screws</li> </ul>
<b>Surface mount kit --8ft (included)</b>	
	<p><b>Parts:</b></p> <ul style="list-style-type: none"> <li>(1) J-box Adapter</li> <li>(4) Anchors</li> <li>(6) Screws</li> </ul>

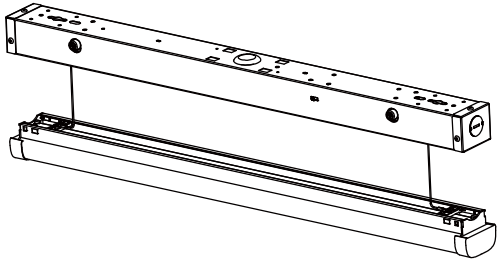
### Installation instructions



1.Punch a hole on the wall and put the expansion tube inside.

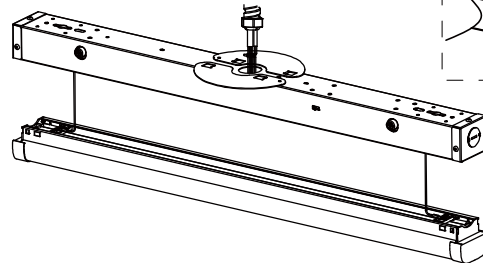


2. Swing open fixture by pushing in/squeezing both buttons located on opposite ends.

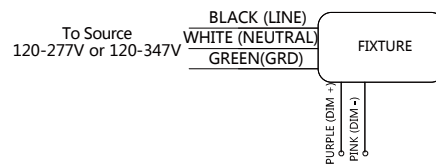
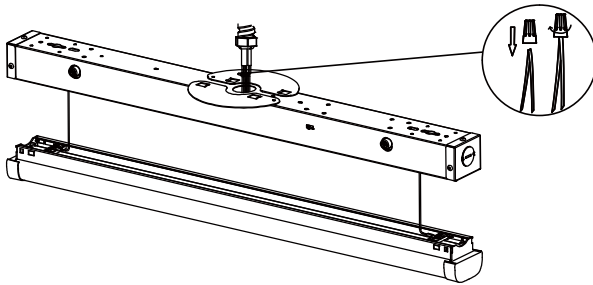


3. Run the fixture's power wires through the center hole of the round J-box adapter. Slide and secure the round J-Box adapter on the center slots located on the back of the fixture.

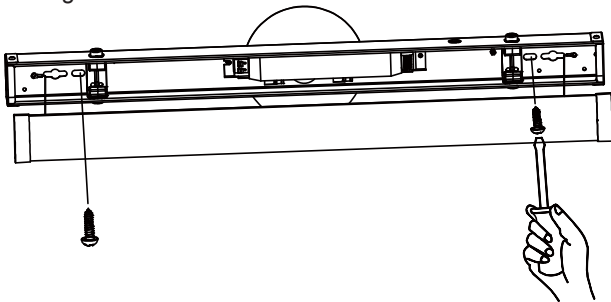
Note: J-Box adapter is used to cover the Junction Box



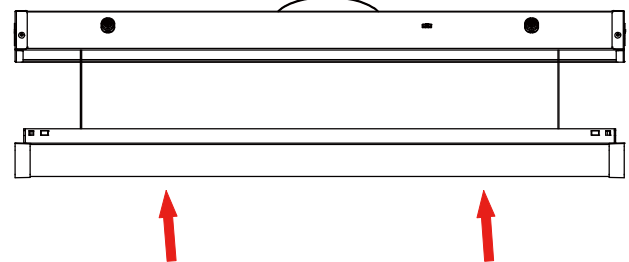
4. Turn off the power and make wiring by using wire nuts according to wiring diagram



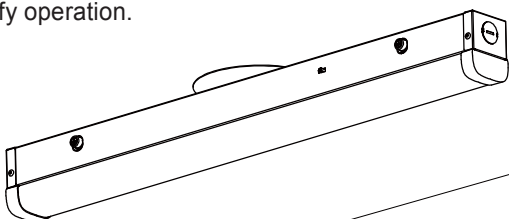
5. Secure the fixture to the wall with the correct mounting hardware



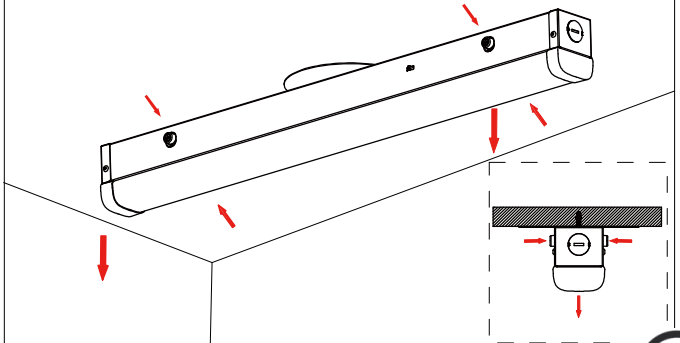
6. Press upward the cover and lock it with springs tightly which located into the fixture.






7. The installation is completed and energize the luminaire to verify operation.



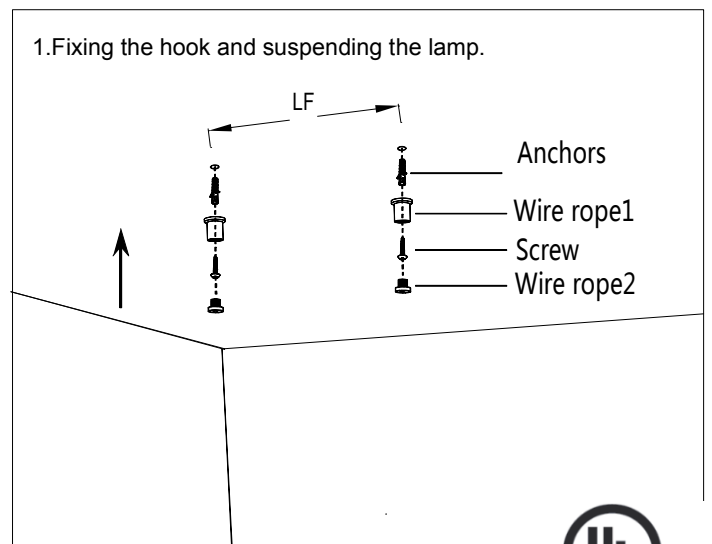
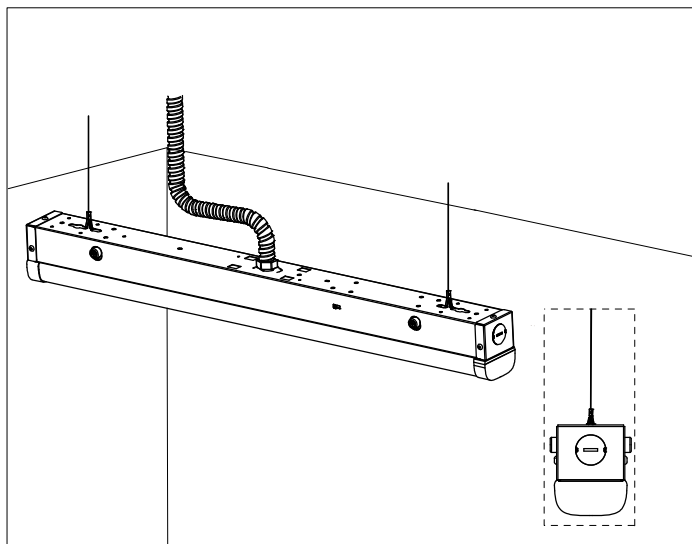
8. Swing open fixture by pushing in/squeezing both buttons located on opposite ends, if need to disassemble the fixture



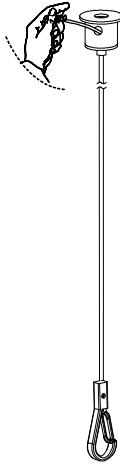
**B. Suspending installation**  
**Parts List**

<b>Suspending installation -2FT(included)</b>	
	<p><b>Parts:</b></p> <p>(2) Safety Rope</p> <p>(2) Anchors</p> <p>(2) Screw</p>
<b>Suspending installation -4FT(included)</b>	
	<p><b>Parts:</b></p> <p>(2) Safety Rope</p> <p>(2) Anchors</p> <p>(2) Screw</p>
<b>Suspending installation -8FT (inlcuded)</b>	
	<p><b>Parts:</b></p> <p>(4) Safety rope</p> <p>(4) Anchors</p> <p>(4) Screw</p>

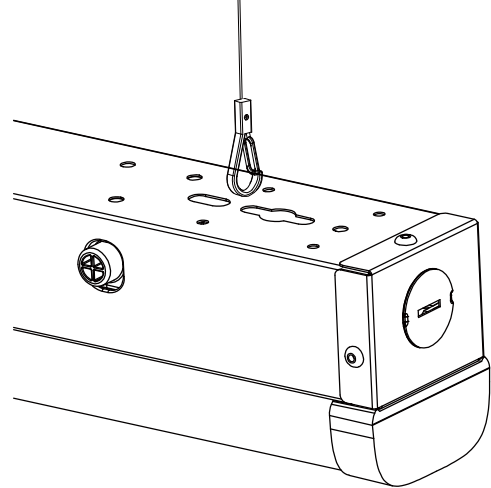
**Installation intructions**



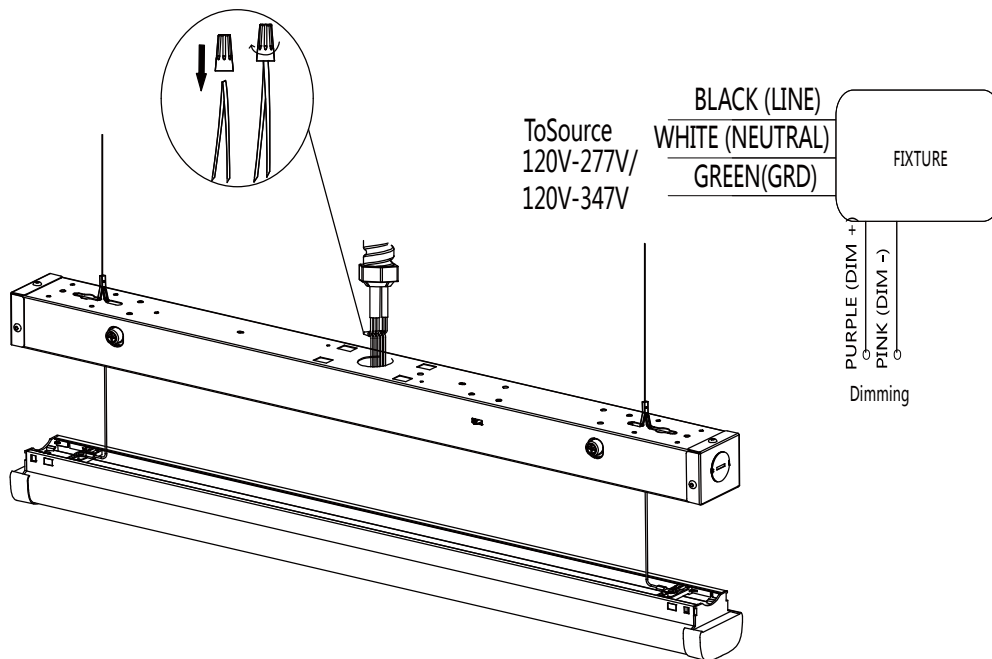
2. Adjusting the hanging rope length.

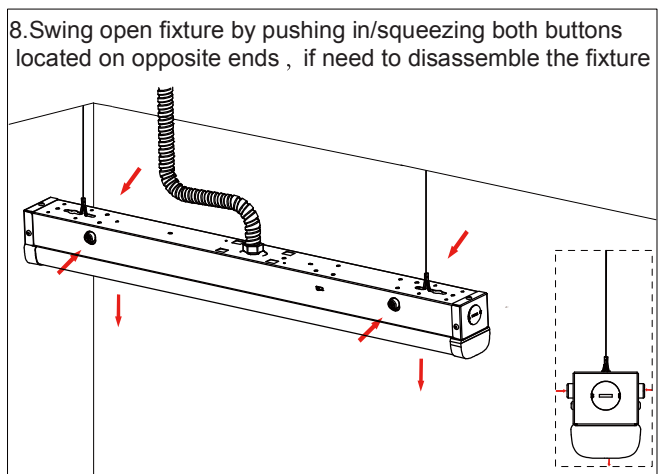
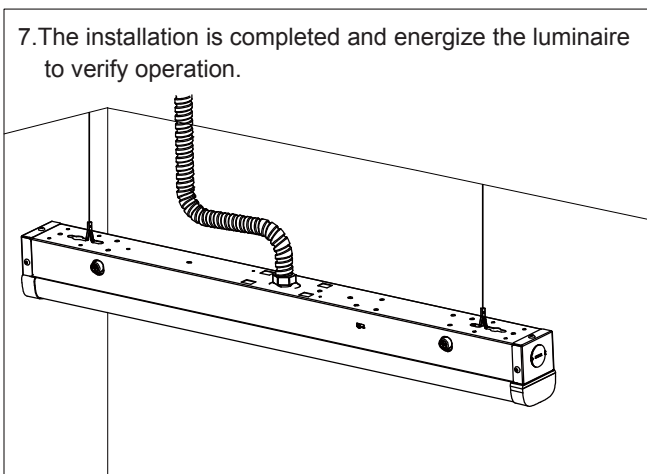
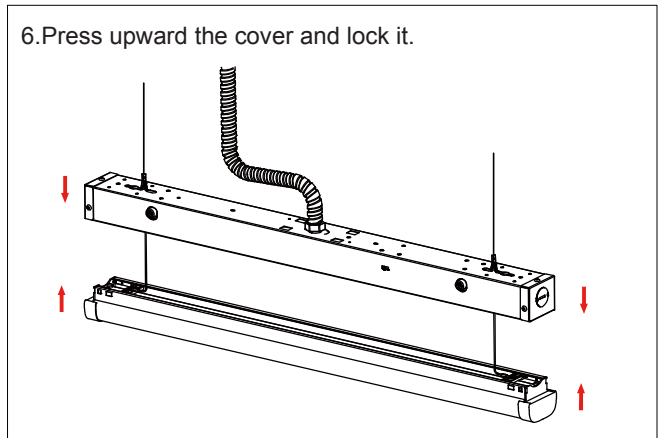
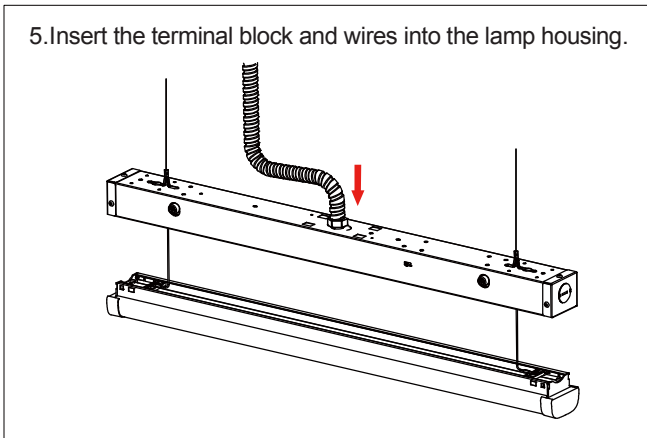


3. Adjusting the hanging rope making the LED Strip in a horizontal state.



4. Turn off the power and wiring by using wire nuts.





## C. Continuous Row Mounting

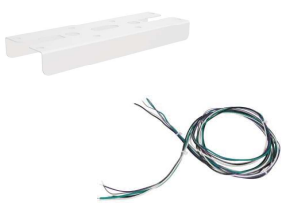
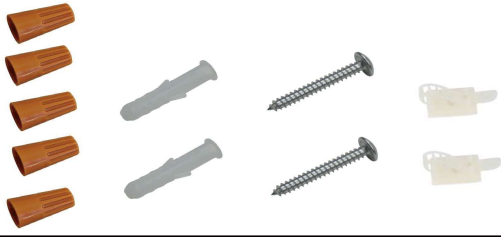
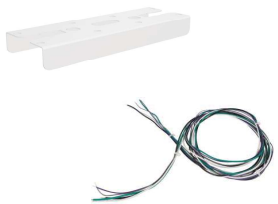

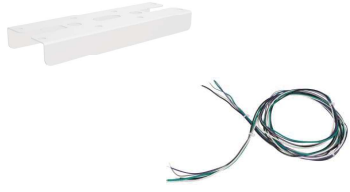

### 4G LED Strip Light Linkable QTY

Size	Watts	120V		277V		Suggested Linkable QTY
		Current	QTY	Current	QTY	
4FT						≤10PCS
	40W	0.37	13	0.16	30	



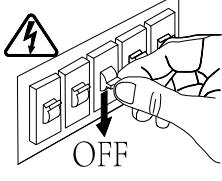
# 1.Surface-mounting continuous row mounting(daisy connection)

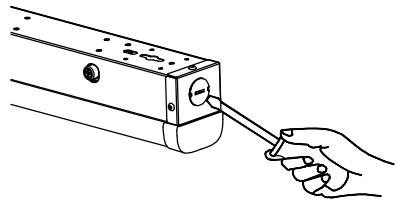
## Parts List

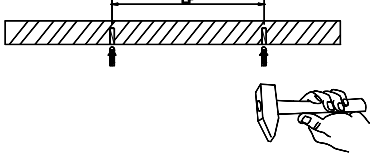
Continuous Row Mounting-2FT(included)		
		<b>Parts:</b> (1) Connection Bracket (1) Harness set (5) Wire Nuts (2) Anchors (2) Screws (2) Self-adhesive Cable Ties
Continuous Row Mounting-8FT(included)		
		<b>Parts:</b> (1) Connection Bracket (1) Harness set (5) Wire Nuts (2) Anchors (2) Screws (2) Self-adhesive Cable Ties
Continuous Row Mounting-8FT(included)		
		<b>Parts:</b> (1) Connection Bracket (1) Harness set (5) Wire Nuts (4) Anchors (4) Screws (2) Self-adhesive Cable Ties

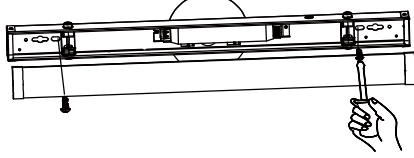
## Installation instructions

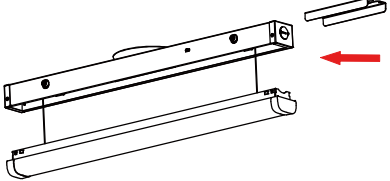
1. Turn off the power.

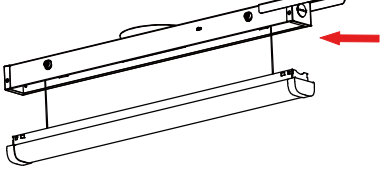

2. Screwed off the knockout hole at the end of lamp body.

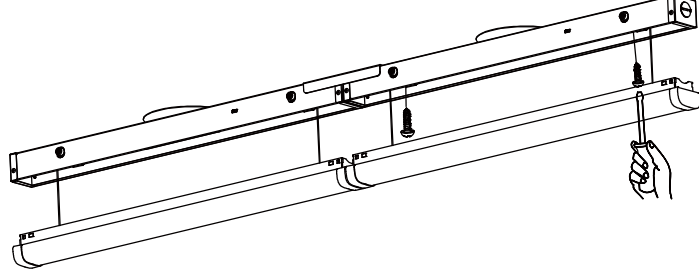

3. Drill holes at a suitable position on the wall and drive the anchor into the wall.


4. Use a screwdriver to tighten the screws to fix the lamp body on the wall.


5. Fix the connection bracket on the wall.


6. Insert the strip light into the connection bracket, then drill holes at a suitable position in the wall for installing the next strip light.


7. Fix the lamp body on the wall by screws, complete the installation; repeat the previous procedure to install the 3rd strip light, 4th strip light etc.







## 2. Suspending continuous row mounting(daisy connection)

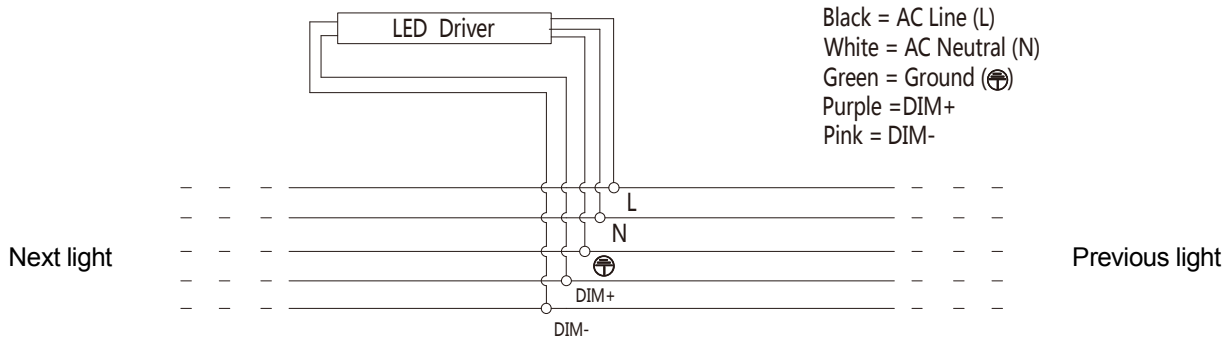
### Parts List

Continuous Row Mounting-2FT(included)	
	<b>Parts:</b> (1) Connection Bracket (1) Harness set (5) Wire Nuts (2) Anchors (10) Screws (2) Self-adhesive Cable Ties (2) Safety Rope
Continuous Row Mounting-4FT(included)	
	<b>Parts:</b> (1) Connection Bracket (1) Harness set (5) Wire Nuts (2) Anchors (10) Screws (2) Self-adhesive Cable Ties (2) Safety Rope
Continuous Row Mounting-8FT(included)	
	<b>Parts:</b> (1) Connection Bracket (1) Harness set (5) Wire Nuts (2) Anchors (12) Screws (4) Self-adhesive Cable Ties (2) Safety Rope

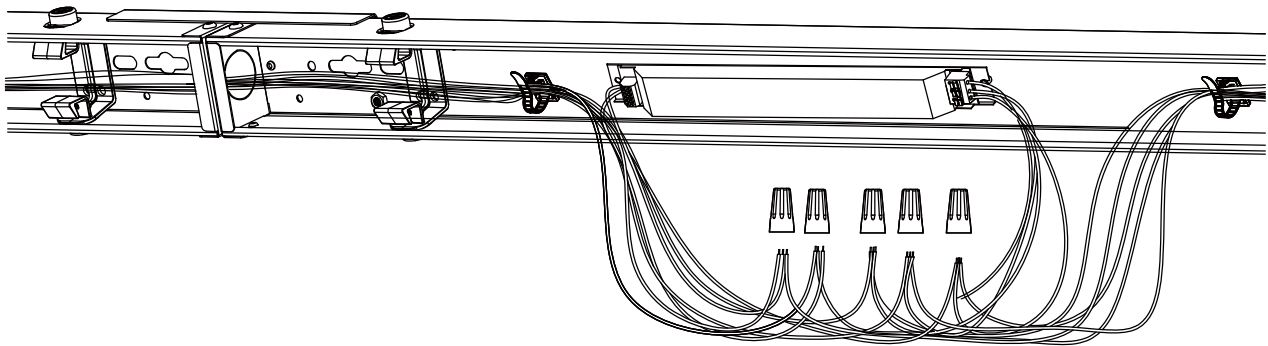
## Installation instructions

1. Turn off the power.
2. Screwed off the knockout hole at the end of lamp body .
3. Fix the connection bracket at the end of one lamp with screw.
4. As shown, the drawing of connecting finished.
5. drill holes on the wall as well as lock the accessories orderly (as shown).
6. Adjust the length of safety rope rope after locked.
7. Lift up the light, fasten the hooks to the back shell.
8. Finished safety rope installation as shown.
9. install all lamps which need suspending as step above.
10. Press the button on both sides of light and remove LED Cover.

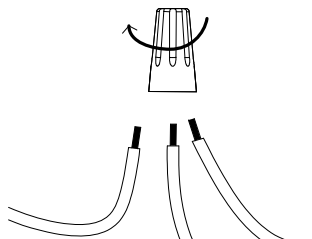
11. Wiring diagram.



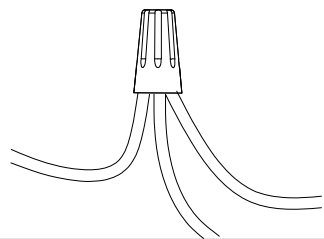
12. Take the black/white/green wire harness and connect to the existing wire connectors on the input wires of the driver respectively. When using the dimming function, take the purple and pink wire harness and make connection to driver. Please make wiring connection using the wiring diagram in Step 11.



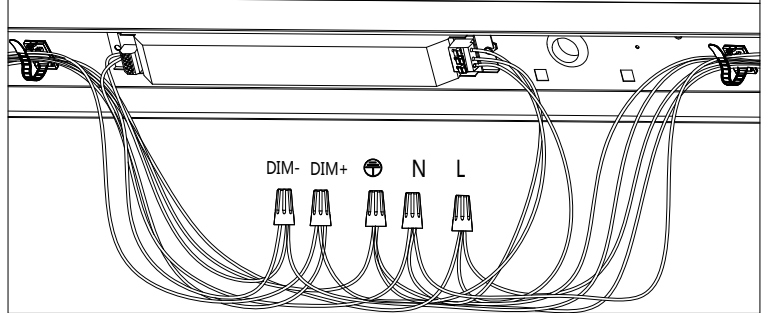
13. Insert the electronic wire into the wire nut.



14. The same type of electronic wires are inserted into the same wire nut and combined into a parallel circuit.



15. Once wiring is completed, take wire harness and run it through the knockouts of the connecting fixture. Use self-adhesive cable ties to eliminate any cable tangles and clutter.



16. Secure the LED Cover to the housing by pressing upward and lock it into the fixture. Energize the luminaire to verify operation.

