

ARK-LED FLOOD LIGHT ADJUSTABLE WATTAGE/CCT



Features

Delicate appearance design

The unique curved design gives the floodlight a high-quality aesthetic. Requirements of different customers can be met through professional optical lens. Black and bronze housing are both good choices according to clients' choices.

Good heating dissipation

Using the material of ADC 12 aluminum alloy as radiator, the LED pin temperature does not exceed 65°C.

Low light attenuation

Within 1000hrs, the light decay is less than 3%, while the traditional attenuation of incandescent lamp is at least 30%. It can light up to 8 years and is equipped with a 5-year warranty.

High waterproof rate

Using structural waterproofing, the Flood Light has a high waterproof rate of IP65 and is suitable for outdoor use.

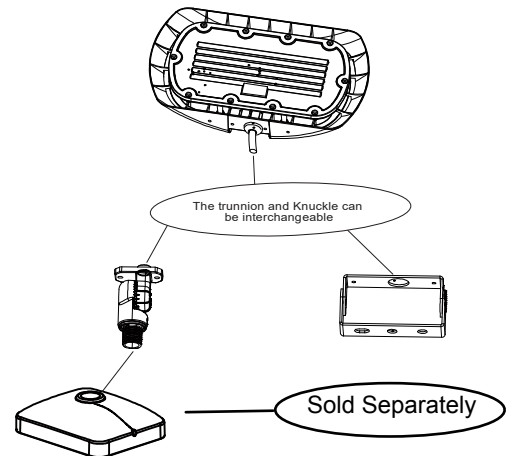
High consistency on lamp direction

Precise scale on the bracket ensures consistent mounting angle.

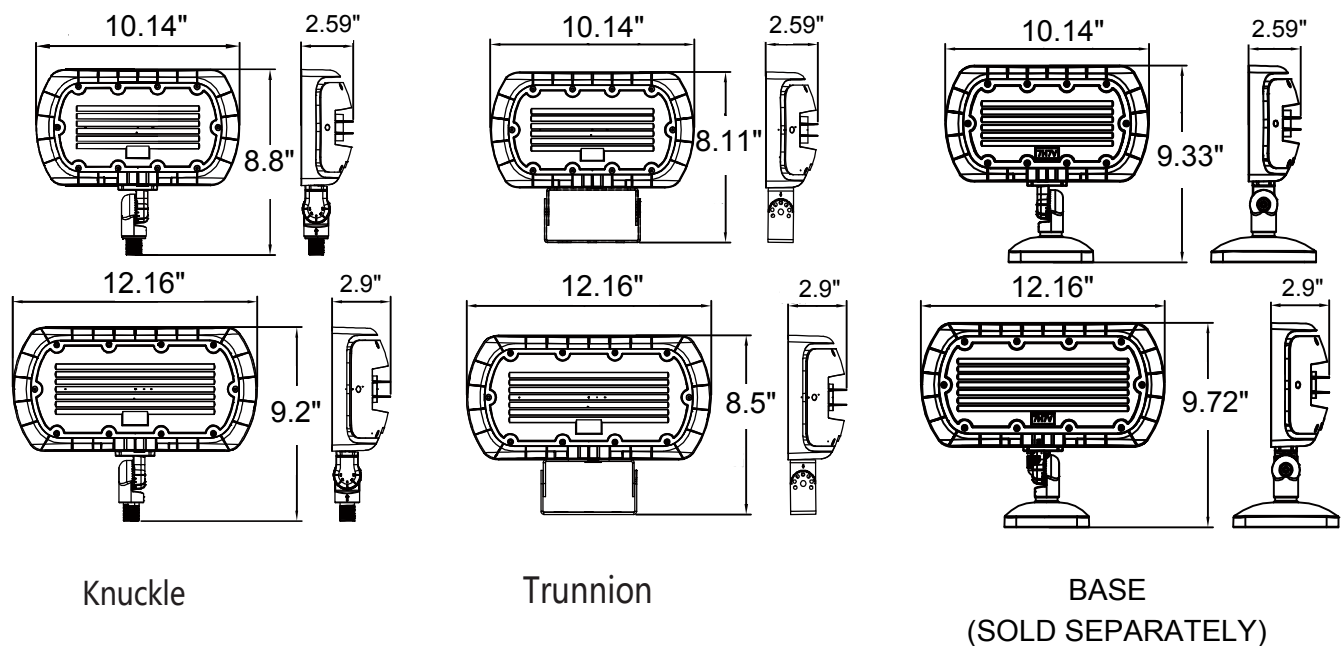
User-friendly design, high installation efficiency, a variety of brackets for choice.

30-50W: Two brackets for choice, can be interchangeable.

50-90W: Two brackets for choice, can be interchangeable.

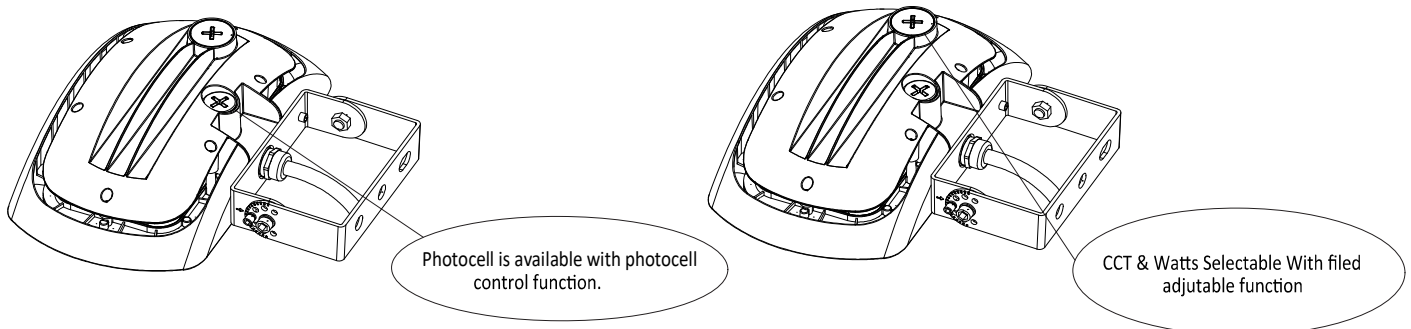


Product Dimension



Lighting Parameters

	ARK-SP50W-TCP-Y	ARK-SP90W-TCP-Y
Power	50W	90W
Working Voltage	AC120-277V	
Wattage adjustable	50W/40W/30W	90W/70W/50W
Lighting Efficiency	120LM/W	
Lamp Bead Model	2835	
Certificates	UL	
CCT	3000K/4000K/5000K	
Lighting Angle	7H7V	
Color Rendering Index	Ra>80	
Working Temperature	-40 °F ~+113 °F	
Storage Temperature	-40 °F ~+158 °F	
Waterproof Rate	IP65	
Life span	> 50000H	
Lamp shell	Brown	

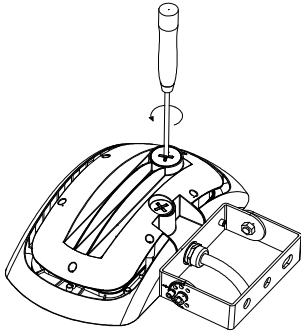


Packing /weight(Do not pass drop test)

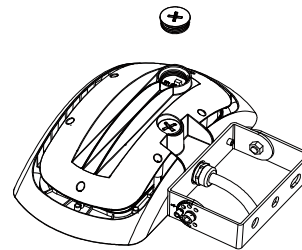
Power	Inner box (L*W*H)	Qty/Ctn (pcs)	Outer box (L*W*H)	N.W/pcs (lbs)	G.W/Ctn (lbs)	Type
50W	11.73"*4.09"*10.31"	5	21.45"*12.32"*11.29"	2.86/1.3	17.63/8	Yoke knuckle
90W	13.70"*4.40"*10.70"	5	23.03"*11.29"*11.69"	3.74/1.7	22.04/10	Yoke knuckle

Step of adjusting Power

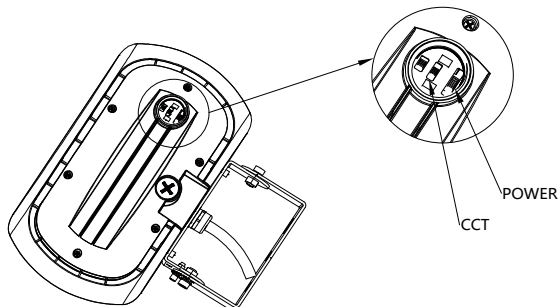
Step 1: Put the front of fixture downward, then twist out the cover with a cross screwdriver.



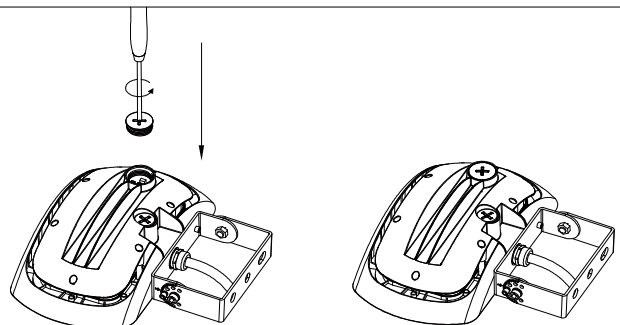
Step 2: Take out the cover and put it aside temporarily.



Step 3: Select desired color temperature and wattage.

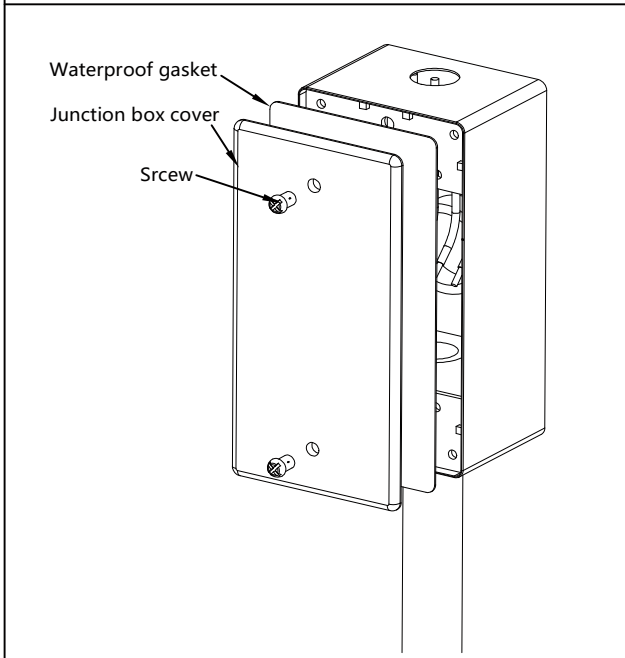


Step 4: Screw the cover back into the fixture.

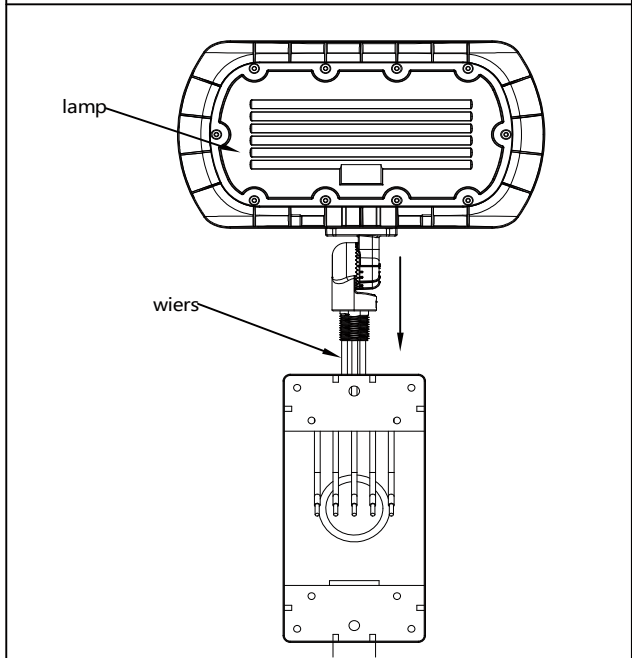


Installation Instruction (Kunckle)

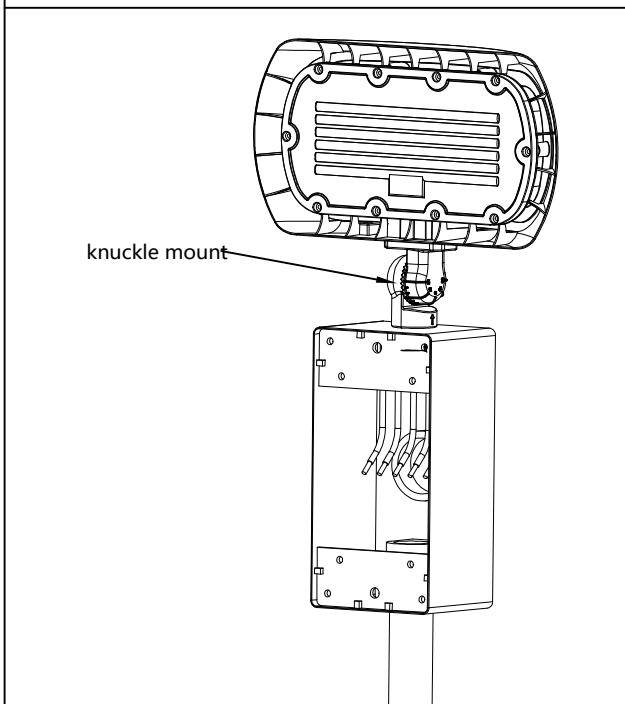
1. Use a screw key to loosen the screw, then take off the junction box cover.



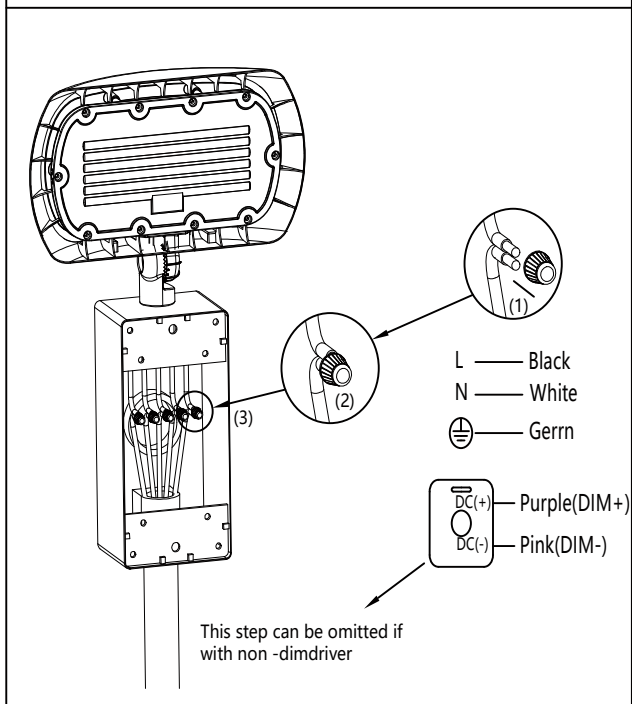
2. Put the wires of lamp into the junction-box.



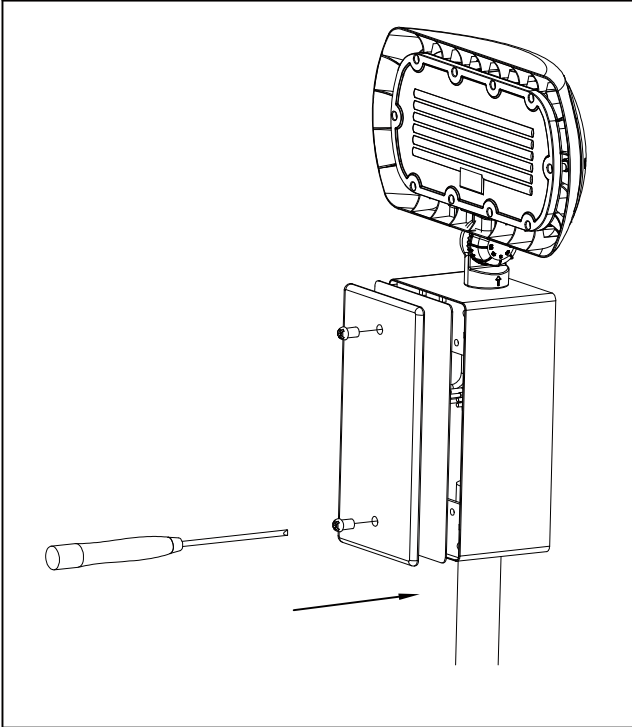
3. Screw up the knuckle mount into junction-box



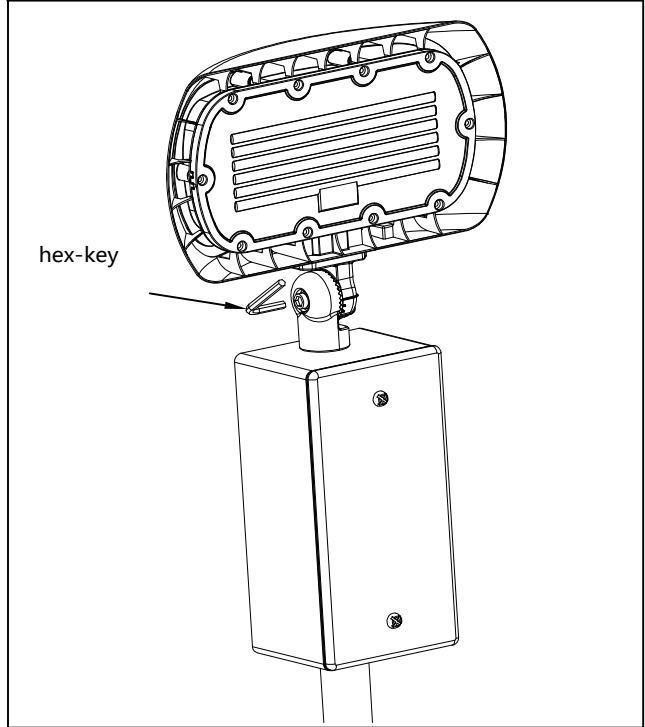
4. Use wire-nuts to connect the wires of lamp to AC wires inside of the junction-box.



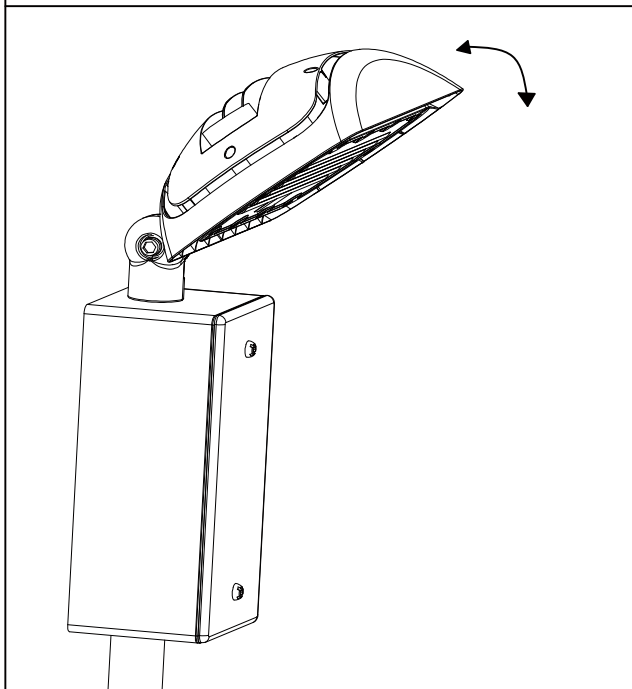
5. Lock the junction-box with screw key.



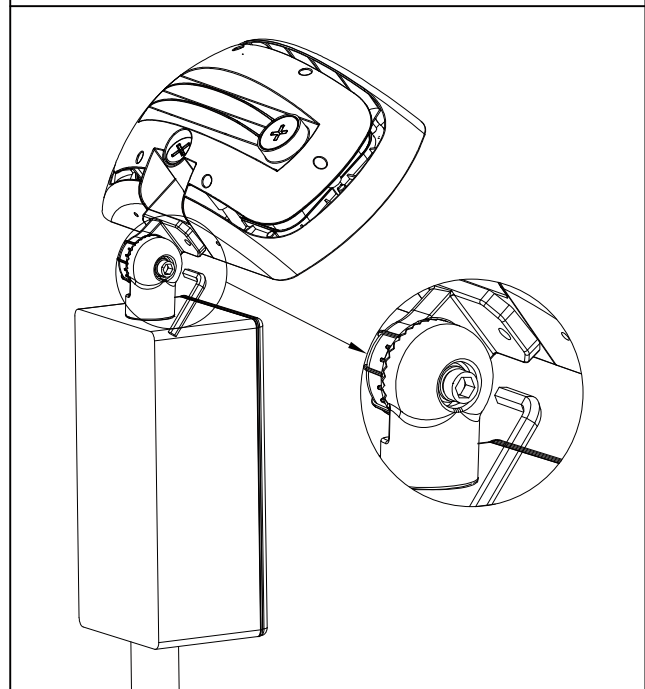
6. Use hex-key to screw off the hex-screw in knuckle mount



7. Adjust the lamp into suitable angle.

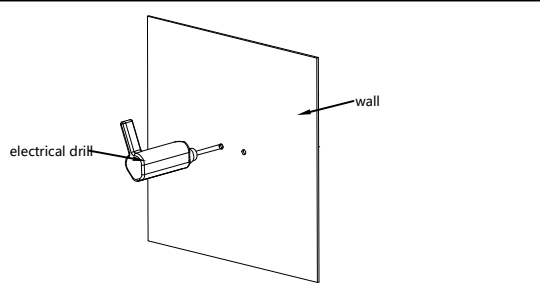


8. Use hex-key to screw up the hex-screw. Installation completed.

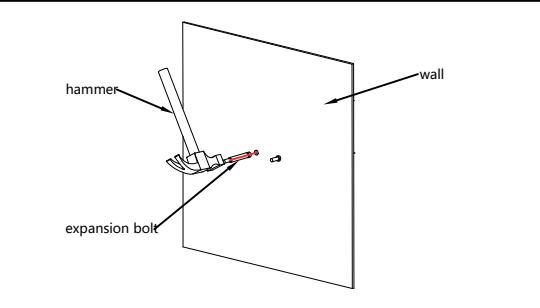


Installation Instruction (Trunnion)

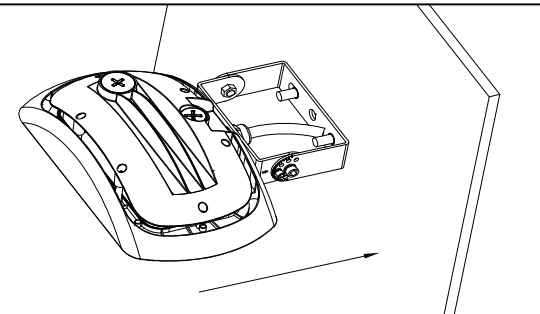
1. Mark the position of the fixing holes with foold igh tbracket, then drill the fixing holes



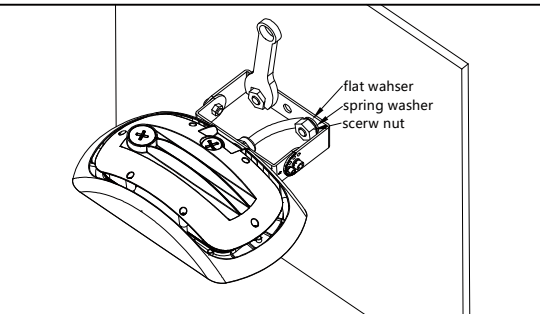
2. Drive in the bolts to the pre-drilled holes with thre adoutside, as the below pic indicate.



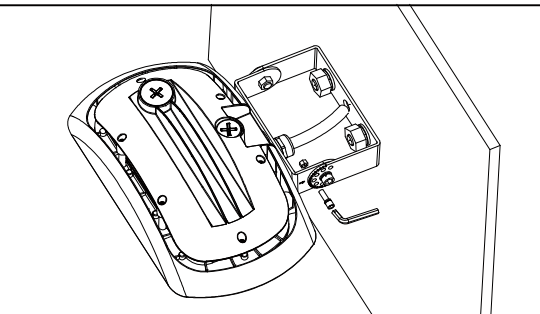
3. Make the bracket face tightly to the wall through the thread.



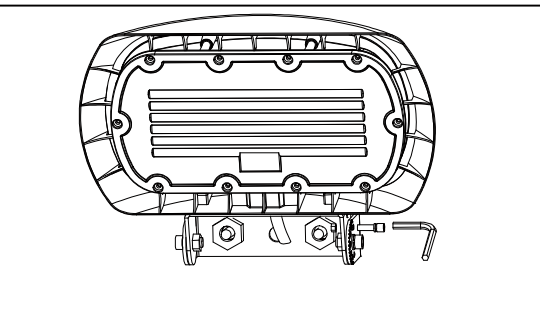
4. Fasten the screw nut clockwise with provided hard wareby wrench.



5. Use an allen screwdriver to twist out the limit screw, being careful about the nut.



6. Rotate the fixture to the desired position, then tighten the screws.



7. Connect wires

