

LED SURFACE MOUNT SPECIFICATIONS

FEATURE

- Featuring tunable White Color Temperature: 3000K,4000K and 5000K
- Body: polycarbonate engineering plastic, not easy to aging discoloration
- Diffusers:High light transmittance polycarbonate
- The LED fixture is Triac dimming
- High luminous efficiency, good color
- WARRANTY--5-year limited warranty



APPLICATION

- drawing room,bedroom,corridor , administration office and business premises

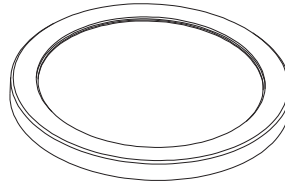
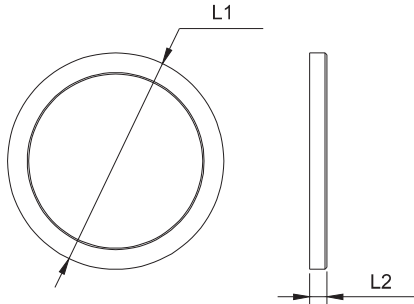
SPECIFICATIONS

Model No.	RY-SMD-R5-10W-3CCT	RY-SMD-R7-15W-3CCT	RY-SMD-R9-18W-3CCT	RY-SMD-R12-24W-3CCT
Power:	9W	12W	18W	24W
Size:	5"	7"	9"	12"
Input Voltage:	120 VAC			
Lumens	720LM	960LM	1440LM	1920LM
Dimming	Triac dimming			
Protection Rating	Damp / Wet Locations			
Beam Angle	120°			
CCT:	3CCT Tunable3000K/4000K/5000K			
CRI:	>80			
Working Life:	Lumen Maintenance over 70% @ 50,000+ Hours			
Oper. Temperature	-13°F ~+113°F / -25°C ~+45°C			
Certification	ETL			

PRODUCT DIMENSIONS

Front View

Side View

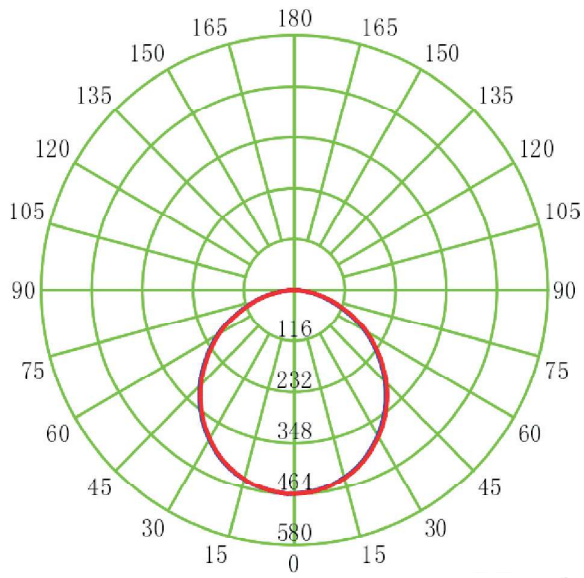


Model No.	HY -SMD-R5-9W-3CCT	HY -SMD-R7-12W-3CCT	HY -SMD-R9-18W-3CCT	HY -SMD-R12-24W-3CCT
L1	5.51"	7.09"	8.86"	12.01"
L2	.71"	.71"	.71"	.71"

PHOTOMETRIC REPORT

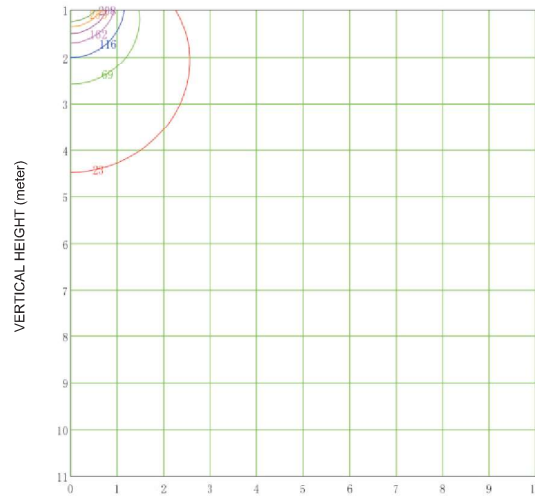
9" LIGHT

LUMINOUS INTENSITY DISTRIBUTION DIAGRAM



— C0-C180 — C90-C270

VERTICAL EQUILUMINOUS CURVE



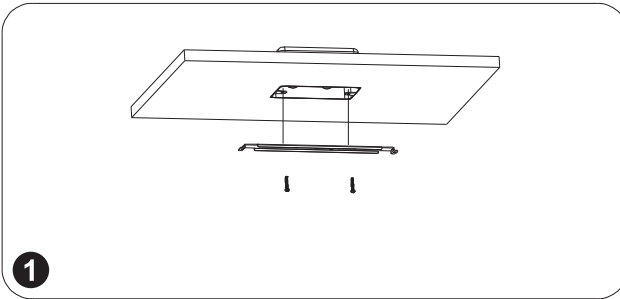
HORIZONTAL DISTANCE (meter)

MINIMUM ALTITUDE 1.0 M
MAXIMUM ALTITUDE 11.0 M
MAXIMUM ILLUMINATION 463.3 lx

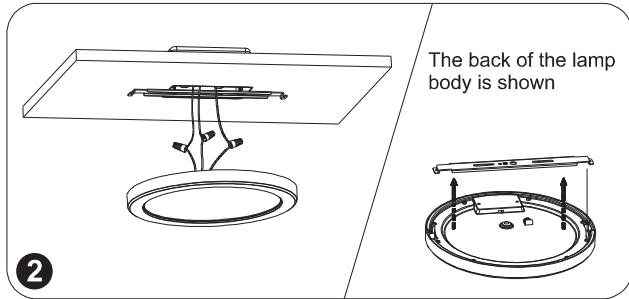
— (5%): 23.2 lx — (15%): 69.5 lx
— (25%): 115.8 lx — (35%): 162.1 lx
— (45%): 208.5 lx — (55%): 254.8 lx
— (65%): 301.1 lx

INSTALLATION INSTRUCTION

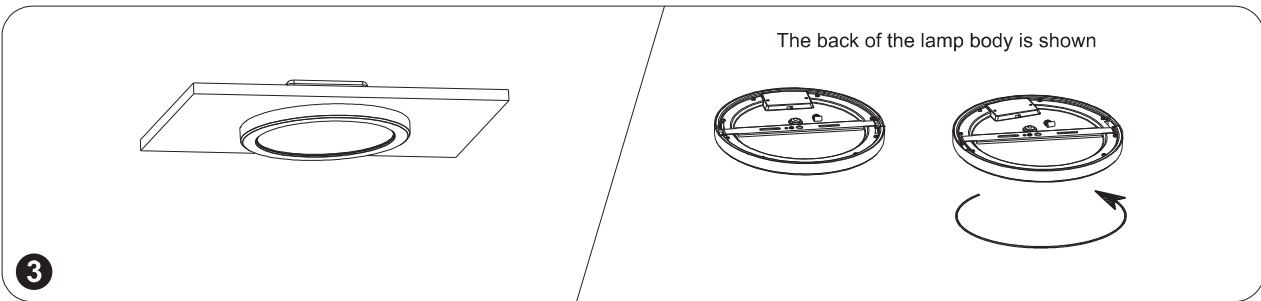
STEPS



1. Fixing bracket on terminal box



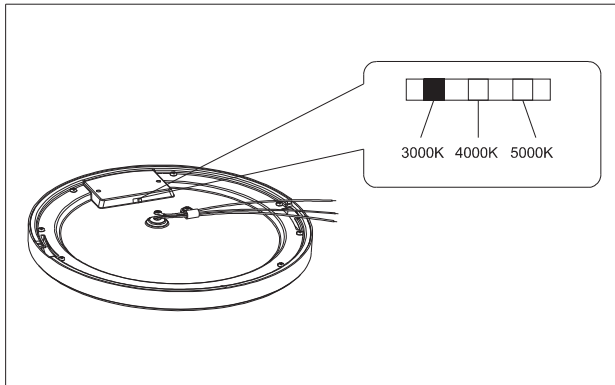
2. Wiring and color temperature adjustment
(see operation guide)



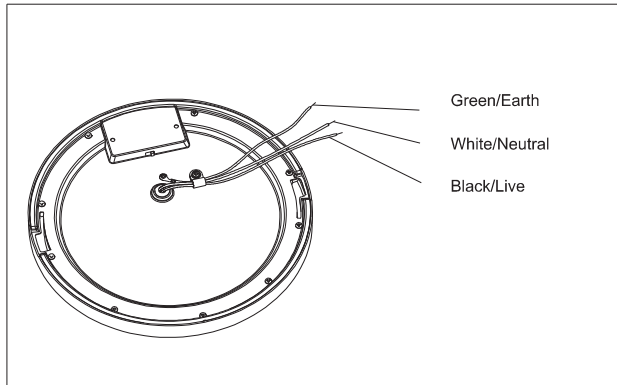
3. Fixing the lamp body on bracket and fix tightly

OPERATING GUIDE

1 CCT Adjustable



2 Wiring Guide



Accessories bag includes:

