

SPECIFICATIONS

FEATURE

- The ultra slim LED downlights/surface mini panel comes with separate steel encased LED driver with watertight seal
- 1" Thin: Fits in Tight Ceiling Space.
- Snap-in mounting springs and easy wiring access for fast & easy Installation: Save labor cost.
- Junction Box Included: No additional hardware required.
- Body: Durable, die cast aluminum alloy for optimal heat dissipation
- White, Nickel or Black for choice--Scratch resistant and smooth finish
- The LED fixture is Triac dimming
- Featuring tunable White Color Temperature: 2700K,3000K,3500K,4000K and 5000K
- WARRANTY--5-year limited warranty

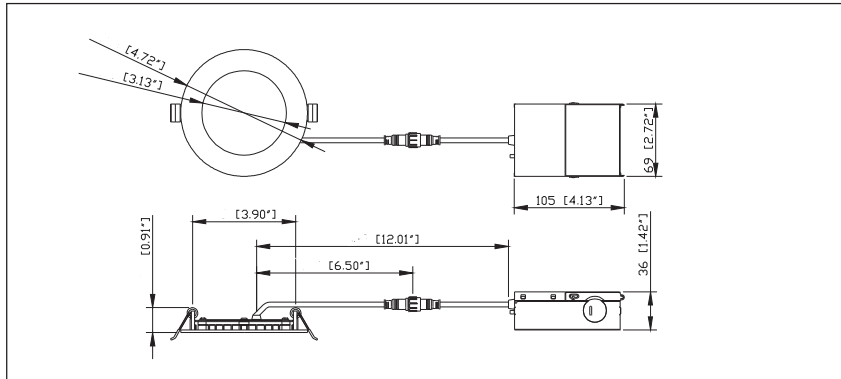
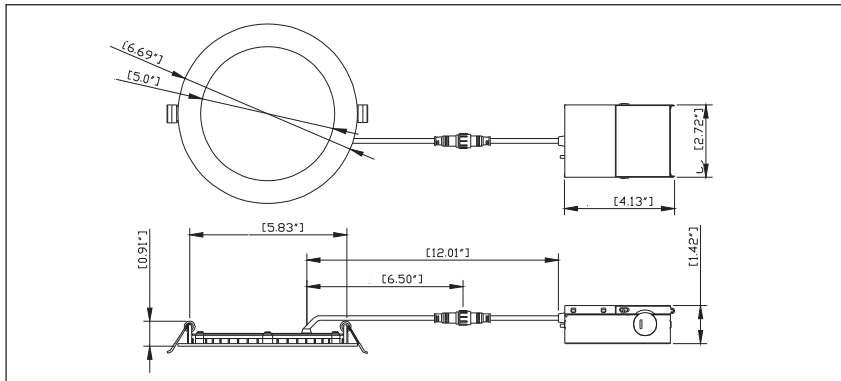
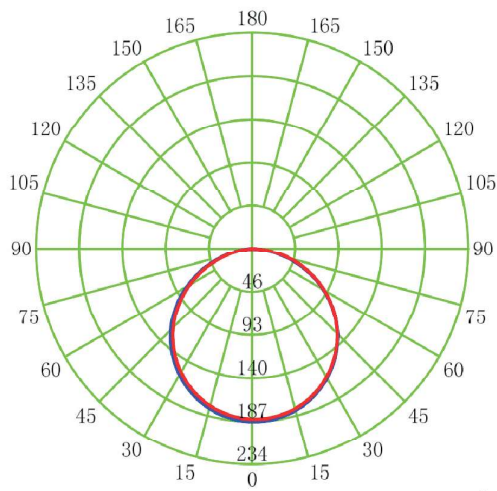


APPLICATION

- Commercial; Residential; hospitality

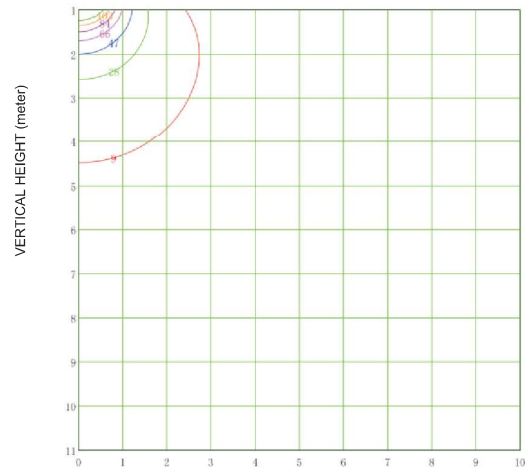
SPECIFICATIONS

Model No.	RY-USDL-R4-9W-5CCT	RY-USDL-R6-12W-5CCT
Size:	4" Round	6" Round
Power:	9W	12W
Input Voltage:	AC120V	
Dimming	Triac Dimmable	
Lumens	700 LM	1000 LM
Protection Rating	Ip20 (For Indoor Use Only)	
Power Factor:	>0.7	
Beam Angle	110°	
CCT:	5CCT (2700K/3000K/3500K/4000K/5000K)	
Ra:	>80	
Working Life:	Lumen Maintenance over 70% @ 50,000+ Hours	
Oper. Temperature	-13°F ~+113°F / -25°C ~+45°C	
Certification	ETL/ ENERGY STAR	

PRODUCT DIMENSIONS
4" SLIM DOWNLIGHT

6" SLIM DOWNLIGHT

PHOTOMETRIC REPORT
9W 4" Round LED Ultra Slim Downlight
LUMINOUS INTENSITY DISTRIBUTION DIAGRAM


UNIT: cd

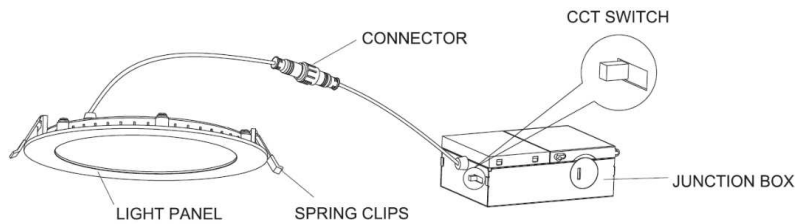
— C0-C180 — C90-C270

VERTICAL EQUILUMINOUS CURVE


HORIZONTAL DISTANCE (meter)

 MINIMUM ALTITUDE 1.0 M
 MAXIMUM ALTITUDE 11.0 M
 MAXIMUM ILLUMINATION 187.5 lx

— (5°) : 9.4 lx	— (15°) : 28.1 lx
— (25°) : 46.9 lx	— (35°) : 65.6 lx
— (45°) : 84.4 lx	— (55°) : 103.1 lx
— (65°) : 121.9 lx	



1. Determine the location for installation and cut ceiling hole in accordance with cut-hole dimensions.
Refer to Hole Diameter table for appropriate sizes. (Fig. 1)
2. On the side of the junction box, select the light color temperature:
2700K-3000K-3500K-4000K-5000K (fig.2)
3. Remove the appropriate knockout(s) on the side panel (Fig. 2).
4. Insert the electrical supply cable through the knockout and secure with a cable connector (sold separately).
5. Using quick-connect push-in terminals, connect the ground wire to the green wire terminal; black wire to black wire terminal; white wire to white wire terminal. (Fig. 2)
6. Place all wiring and connections back in to the box and close the cover. Connect the driver to the light panel.
7. Insert junction box through the mounting hole. (Fig. 3)
8. Push spring-loaded clips on the fixture upwards and insert fixture base in to the mounting hole. Release the clips and fixture will be pulled flush to the ceiling. (Fig. 4)

